



INFLIGHT FITNESS

5007-3

## 69" 3-Tier Dumbbell Rack

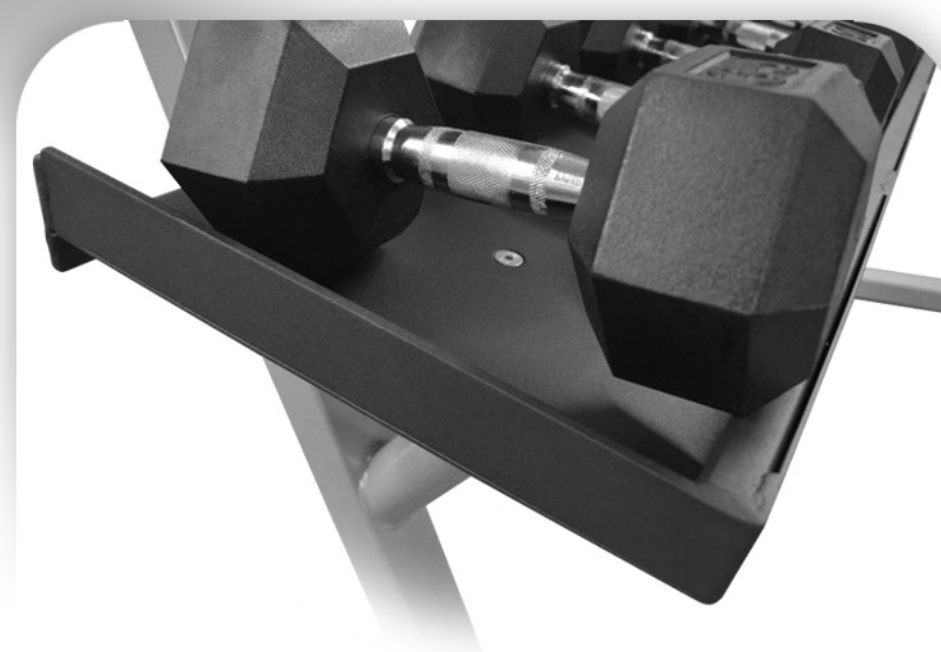


### FEATURES

- ✓ The three heavy duty tray shelves of this commercial grade rack are properly spaced and angled for the easy removal and storage of a variety of dumbbells or kettle bells.
- ✓ One inch tube front edge protects rubber dumbbells.
- ✓ The rack feet are drilled for bolting down and have rubber pads to protect the floor.
- ✓ 69.5"L x 35.5"W x 45"H and 295lb. shipping weight.

### OPTIONS

- ✓ Available with 15 pair set of 5-75lb. rubber hex dumbbells (5007-3-1200).



Visit [www.inflightfitness.com](http://www.inflightfitness.com) to see our entire line of exercise equipment.